

SN54LS597, SN54LS598, SN74LS597, SN74LS598 8-BIT SHIFT REGISTERS WITH INPUT LATCHES

SDLS007

D2635, JANUARY 1981—REVISED MARCH 1988

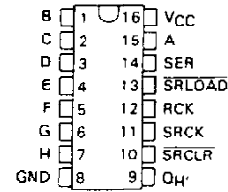
- 8-Bit Parallel Storage Register Inputs ('LS597)
- Parallel 3-State I/O, Storage Register Inputs, Shift Register Outputs ('LS598)
- Shift Register has Direct Overriding Load and Clear
- Accurate Shift-Frequency . . . DC to 20 MHz

description

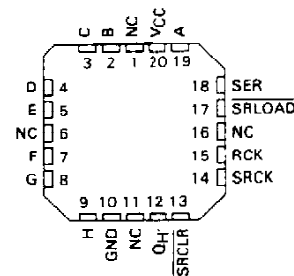
The 'LS597 comes in a 16-pin package and consists of an 8-bit storage latch feeding a parallel-in, serial-out 8-bit shift register. Both the storage register and shift register have positive-edge triggered clocks. The shift register also has direct load (from storage) and clear inputs.

The 'LS598 comes in a 20-pin package and has all the features of the 'LS597 plus 3-state I/O ports that provide parallel shift register outputs and also has multiplexed serial data inputs.

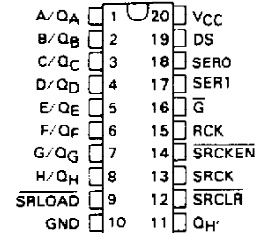
SN54LS597 . . . J OR W PACKAGE
SN74LS597 . . . N PACKAGE
(TOP VIEW)



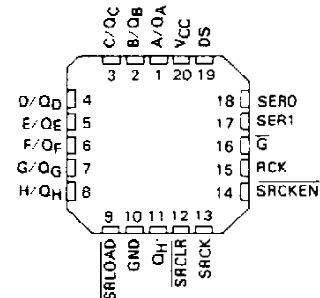
SN54LS597 . . . FK PACKAGE
(TOP VIEW)



SN54LS598 . . . J OR W PACKAGE
LS598 . . . DW OR N PACKAGE
(TOP VIEW)



SN54LS598 . . . FK PACKAGE
(TOP VIEW)



NC - No internal connection

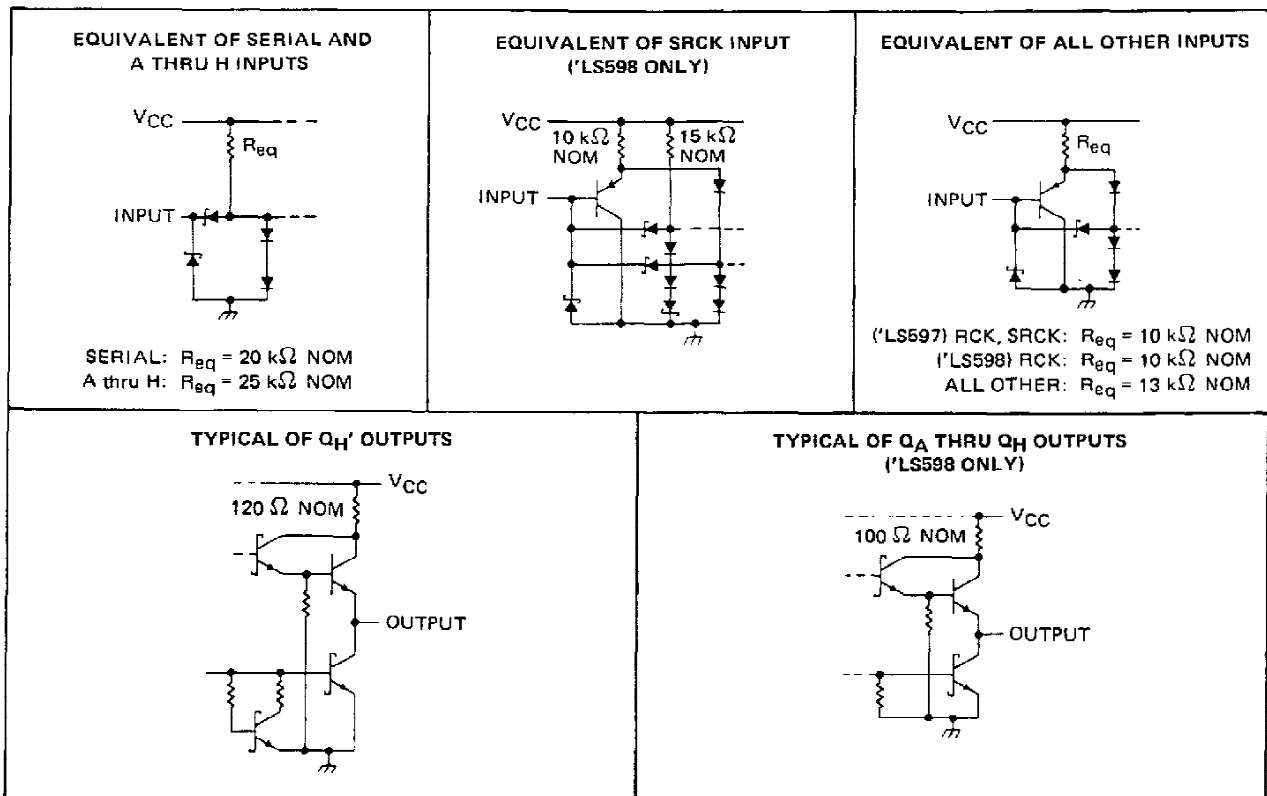
PRODUCTION DATA documents contain information current as of publication date. Products conform to specifications per the terms of Texas Instruments standard warranty. Production processing does not necessarily include testing of all parameters.

**TEXAS
INSTRUMENTS**

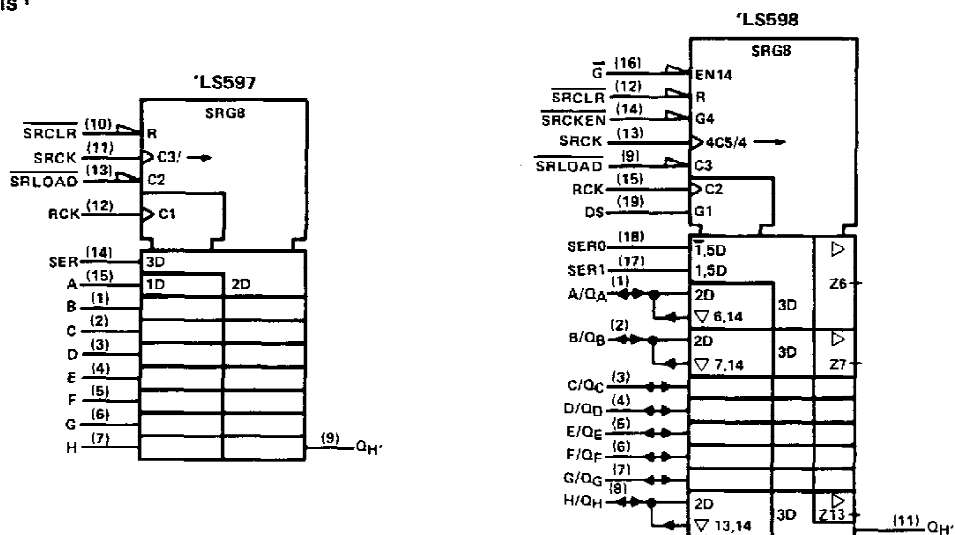
POST OFFICE BOX 655012 • DALLAS, TEXAS 75265

SN54LS597, SN54LS598, SN74LS597, SN74LS598 8-BIT SHIFT REGISTERS WITH INPUT LATCHES

schematics of inputs and outputs



logic symbols†



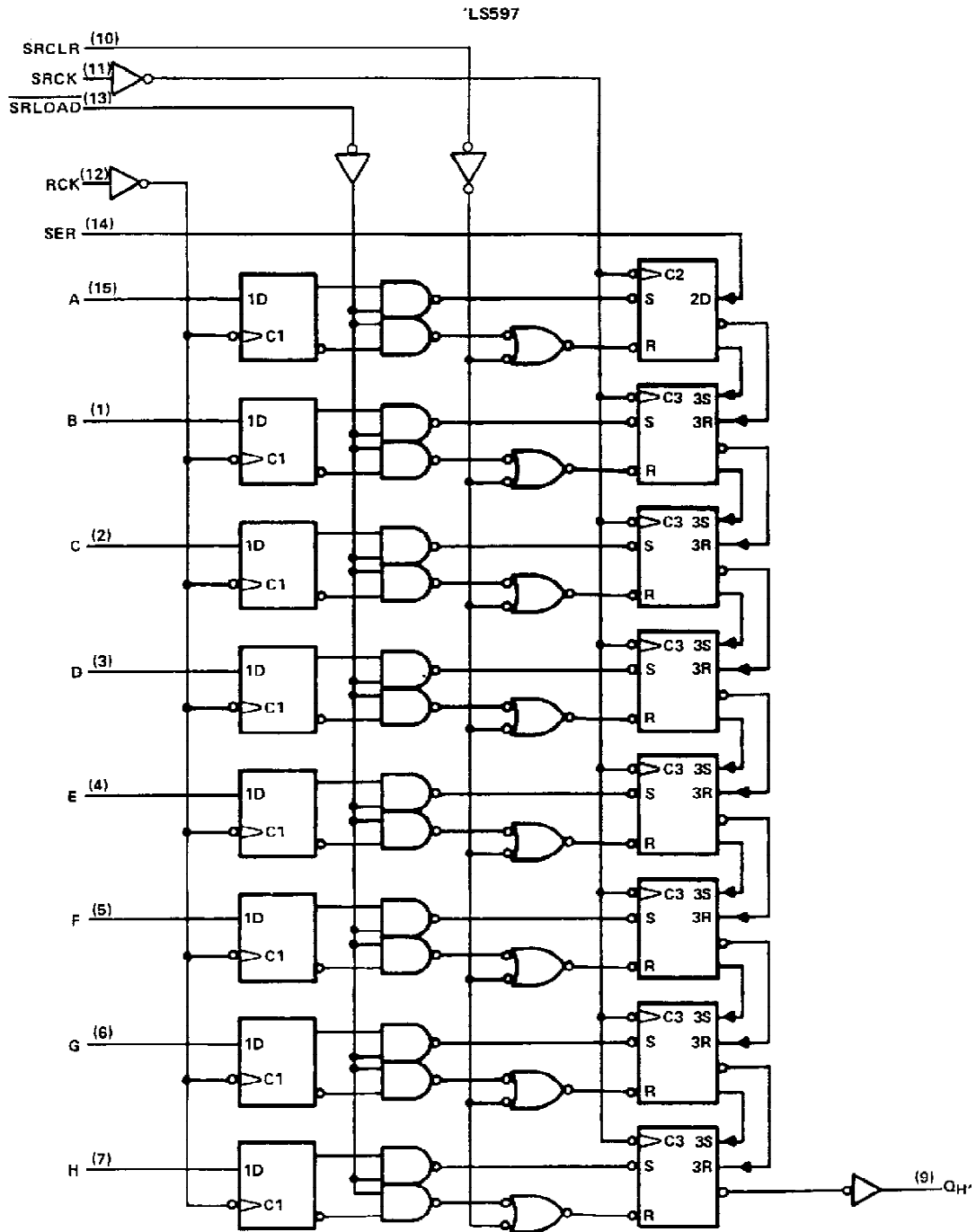
†This symbol is in accordance with ANSI/IEEE Std. 91-1984 and IEC Publication 617-12. Pin numbers shown are for DW, J, N, and W packages.

TEXAS
INSTRUMENTS

POST OFFICE BOX 655012 • DALLAS, TEXAS 75265

SN54LS597, SN74LS597
8-BIT SHIFT REGISTERS WITH INPUT LATCHES

logic diagram (positive logic)



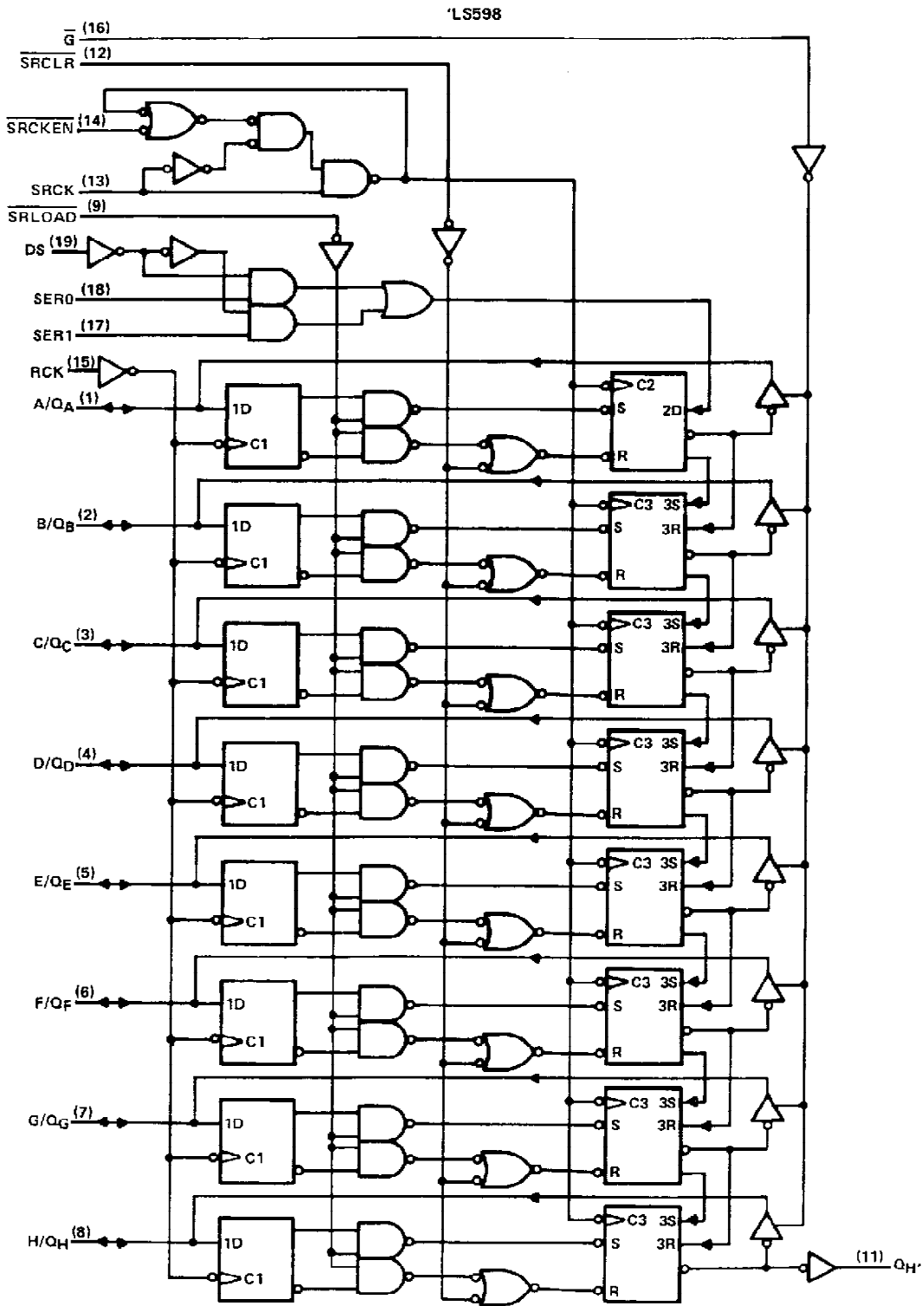
Pin numbers shown are for DW, J, N, and W packages.

TEXAS
INSTRUMENTS

POST OFFICE BOX 655012 • DALLAS, TEXAS 75265

SN54LS598, SN74LS598 8-BIT SHIFT REGISTERS WITH INPUT LATCHES

logic diagram (positive logic)



Pin numbers shown are for DW, J, N, and W packages.

TEXAS
INSTRUMENTS

POST OFFICE BOX 655012 • DALLAS, TEXAS 75265

SN54LS597, SN54LS598, SN74LS597, SN74LS598 8-BIT SHIFT REGISTERS WITH INPUT LATCHES

absolute maximum ratings over operating free-air temperature range (unless otherwise noted)

Supply voltage, V_{CC} (see Note 1)	7 V
Input voltage (excluding I/O ports)	7 V
Off-state output voltage (including I/O ports)	5.5 V
Operating free-air temperature range: SN54LS597, SN54LS598	- 55°C to 125°C
SN74LS597, SN74LS598	0°C to 70°C
Storage temperature range	- 65°C to 150°C

NOTE 1: Voltage values are with respect to the network ground terminal.

recommended operating conditions

		SN54LS'			SN74LS'			UNIT
		MIN	NOM	MAX	MIN	NOM	MAX	
V_{CC}	Supply voltage	4.5	5	5.5	4.75	5	5.25	V
V_{IH}	High-level input voltage	2			2			V
V_{IL}	Low-level input voltage	0.7			0.8			V
I_{OH}	High-level output current	Q_H'		- 1	$- 1$		mA	
		Q_A thru Q_H , 'LS598 only		- 1	$- 2.6$			
I_{OL}	Low-level output current	Q_H'		8	16		mA	
		Q_A thru Q_H , 'LS598 only		12	24			
f_{SCK}	Shift clock frequency	0		20	0		20	MHz
t_w	Pulse duration	SRCK	high	15	15		ns	
			low	35	35			
		RCK		20	20			
		SRCLR		20	20			
		SRLOAD		40	40			
t_{su}	Setup time	Data before RCK ↑		20	20		ns	
		DS before SRCK ↑ ('LS598 only)		30	30			
		SRCKEN low before SRCK ↑ ('LS598 only)		20	20			
		SRCLR inactive before SRCK ↑		25	25			
		SRLOAD inactive before SRCK ↑		30	30			
		RCK ↑ before SRLOAD ↑ (see Note 2)		40	40			
		SER before SRCK ↑		20	20			
t_h	Hold time	0		0	0		ns	
T_A	Operating free-air temperature	- 55		125	0		70	°C

NOTE 2: The RCK ↑ before SRLOAD ↑ setup time ensures the data saved by RCK ↑ will also be loaded into the shift register.



SN54LS597, SN54LS598, SN74LS597, SN74LS598
8-BIT SHIFT REGISTERS WITH INPUT LATCHES

electrical characteristics over recommended operating free-air temperature range (unless otherwise noted)

PARAMETER	TEST CONDITIONS†	SN54LS*		SN74LS*		UNIT		
		MIN	TYP‡	MAX	MIN		TYP‡	MAX
V _{IK}	V _{CC} = MIN, I _I = -18 mA			-1.5		-1.5	V	
V _{OH}	'LS598 Q Q _H '	V _{CC} = MIN, V _{IH} = 2 V, V _{IL} = MAX	I _{OH} = -1 mA	2.4	3.2			
			I _{OH} = -2.6 mA			2.4	3.1	
V _{OL}	'LS598 Q Q _H '	V _{CC} = MIN, V _{IH} = 2 V, V _{IL} = MAX	I _{OL} = 12 mA		0.25	0.4	0.25	0.4
			I _{OL} = 24 mA				0.35	0.5
			I _{OL} = 8 mA		0.25	0.4	0.25	0.4
			I _{OL} = 16 mA				0.35	0.5
I _{OZH}	'LS598 Q	V _{CC} = MAX, V _O = 2.7 V	V _{IH} = 2 V, V _{IL} = MAX,			20	20	μA
I _{OZL}	'LS598 Q	V _{CC} = MAX, V _O = 0.4 V	V _{IH} = 2 V, V _{IL} = MAX,			-0.4	-0.4	mA
I _I	'LS598 Q	V _{CC} = MAX	V _I = 5.5 V			0.1	0.1	mA
	Others		V _I = 7 V			0.1	0.1	
I _{IH}		V _{CC} = MAX, V _I = 2.7 V				20	20	μA
I _{IL}	'LS598 SRCK	V _{CC} = MAX, V _I = 0.4 V				-0.8	-0.8	mA
	SER, A Thru H					-0.4	-0.4	
	Others					-0.2	-0.2	
I _{OS} §	'LS598 Q	V _{CC} = MAX, V _O = 0 V				-30	-130	mA
	Q _H '					-20	-100	
I _{CC}	'LS597	V _{CC} = MAX, All possible inputs grounded, All outputs open	I _{CC} H	35	53	35	53	mA
			I _{CC} L	35	53	35	53	
	'LS598		I _{CC} H	45	68	45	68	
			I _{CC} L	54	80	54	80	
			I _{CC} Z	56	85	56	85	

† For conditions shown as MIN or MAX, use the appropriate value specified under recommended operating conditions.

‡ All typical values are at V_{CC} = 5 V, T_A = 25°C

§ Not more than one output should be shorted at a time and the duration of the short-circuit should not exceed one second.

SN54LS597, SN54LS598, SN74LS597, SN74LS598
8-BIT SHIFT REGISTERS WITH INPUT LATCHES

switching characteristics, $V_{CC} = 5\text{ V}$, $T_A = 25^\circ\text{C}$. (see note 3)

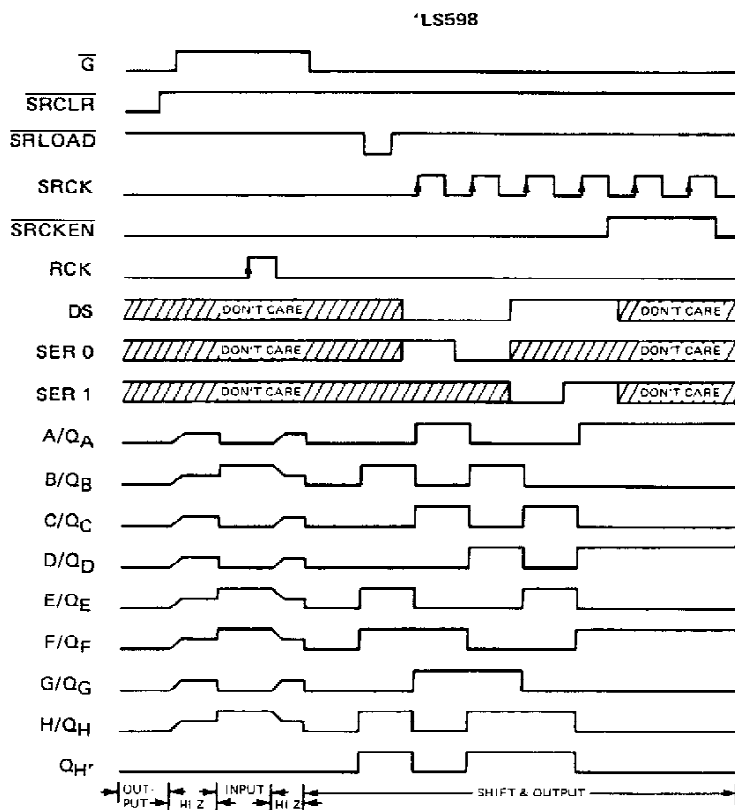
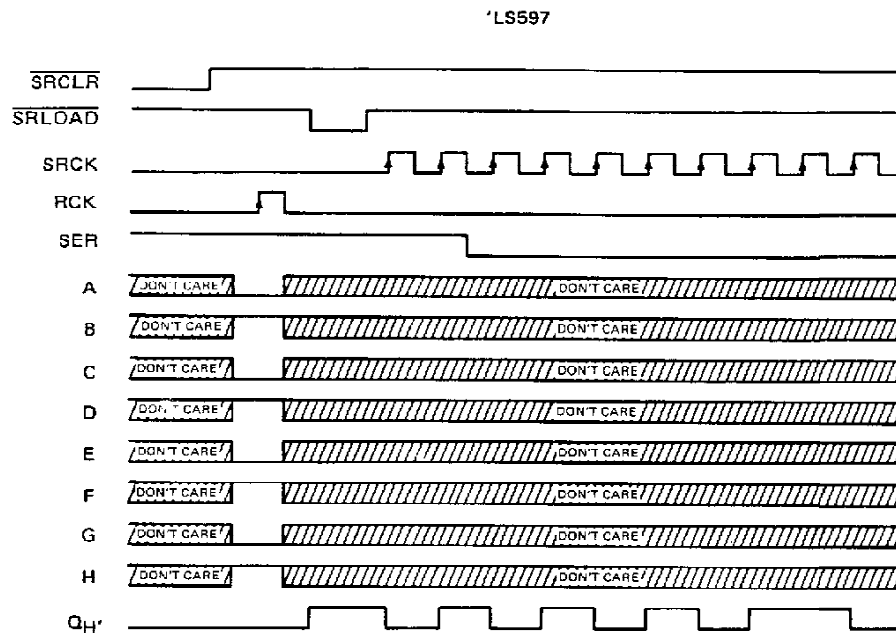
PARAMETER	FROM (INPUT)	TO (OUTPUT)	TEST CONDITIONS	LS597			LS598			UNIT
				MIN	TYP	MAX	MIN	TYP	MAX	
f_{max}	SRCK	Q	$R_L = 667\ \Omega$, $C_L = 45\ \mu\text{F}$	20	35		20	35		MHz
f_{max}	SRCK	Q_H'	$R_L = 1\ \text{k}\Omega$, $C_L = 30\ \text{pF}$	20	35					MHz
t_{PLH}	SRCK \uparrow	Q_H'	$R_L = 1\ \text{k}\Omega$, $C_L = 30\ \text{pF}$		15	23		11	17	ns
t_{PHL}	SPCK \uparrow	Q_H'			20	30		15	23	ns
t_{PLH}	$\overline{\text{SRLOAD}}\downarrow$	Q_H'			38	57		28	42	ns
t_{PHL}	$\overline{\text{SRLOAD}}\downarrow$	Q_H'			29	44		20	30	ns
t_{PHL}	SRCLR \downarrow	Q_H'			24	36		18	27	ns
t_{PLH}	RCK \uparrow	Q_H'	$R_L = 1\ \text{k}\Omega$, $C_L = 30\ \text{pF}$ SRLOAD = L	41	60		32	48		ns
t_{PHL}	RCK \uparrow	Q_H'			32	48		24	36	ns
t_{PLH}	SRCK \uparrow	Q	$R_L = 667\ \Omega$, $C_L = 45\ \text{pF}$					12	18	ns
t_{PHL}	SRCK \uparrow	Q						19	28	ns
t_{PLH}	$\overline{\text{SRLOAD}}\downarrow$	Q						32	48	ns
t_{PHL}	$\overline{\text{SRLOAD}}\downarrow$	Q						27	40	ns
t_{PHL}	SRCLR \downarrow	Q						25	38	ns
t_{PZH}	G \downarrow	Q						26	31	ns
t_{PZL}	G \downarrow	Q						29	43	ns
t_{PHZ}	G \uparrow	Q	$R_L = 667\ \Omega$, $C_L = 5\ \text{pF}$					25	38	ns
t_{PLZ}	G \uparrow	Q						20	30	ns

NOTE 3: Load circuits and voltage waveforms are shown in Section 1.



SN54LS597, SN54LS598, SN74LS597, SN74LS598 8-BIT SHIFT REGISTERS WITH INPUT LATCHES

typical operating sequences




**TEXAS
INSTRUMENTS**

POST OFFICE BOX 655012 • DALLAS, TEXAS 75265

PACKAGING INFORMATION

Orderable Device	Status ⁽¹⁾	Package Type	Package Drawing	Pins	Package Qty	Eco Plan ⁽²⁾	Lead/Ball Finish	MSL Peak Temp ⁽³⁾
5962-89444012A	ACTIVE	LCCC	FK	20	1	TBD	POST-PLATE	N / A for Pkg Type
5962-8944401EA	ACTIVE	CDIP	J	16	1	TBD	A42	N / A for Pkg Type
5962-8944401EA	ACTIVE	CDIP	J	16	1	TBD	A42	N / A for Pkg Type
5962-8944401FA	ACTIVE	CFP	W	16	1	TBD	A42	N / A for Pkg Type
5962-8944401FA	ACTIVE	CFP	W	16	1	TBD	A42	N / A for Pkg Type
5962-89756012A	OBSOLETE	LCCC	FK	20		TBD	Call TI	Call TI
5962-89756012A	OBSOLETE	LCCC	FK	20		TBD	Call TI	Call TI
5962-8975601SA	OBSOLETE	CFP	W	20		TBD	Call TI	Call TI
5962-8975601SA	OBSOLETE	CFP	W	20		TBD	Call TI	Call TI
SN54LS597J	ACTIVE	CDIP	J	16	1	TBD	A42	N / A for Pkg Type
SN54LS597J	ACTIVE	CDIP	J	16	1	TBD	A42	N / A for Pkg Type
SN54LS598J	OBSOLETE	CDIP	J	20		TBD	Call TI	Call TI
SN54LS598J	OBSOLETE	CDIP	J	20		TBD	Call TI	Call TI
SN74LS597D	ACTIVE	SOIC	D	16	40	Green (RoHS & no Sb/Br)	CU NIPDAU	Level-1-260C-UNLIM
SN74LS597D	ACTIVE	SOIC	D	16	40	Green (RoHS & no Sb/Br)	CU NIPDAU	Level-1-260C-UNLIM
SN74LS597DE4	ACTIVE	SOIC	D	16	40	Green (RoHS & no Sb/Br)	CU NIPDAU	Level-1-260C-UNLIM
SN74LS597DE4	ACTIVE	SOIC	D	16	40	Green (RoHS & no Sb/Br)	CU NIPDAU	Level-1-260C-UNLIM
SN74LS597DG4	ACTIVE	SOIC	D	16	40	Green (RoHS & no Sb/Br)	CU NIPDAU	Level-1-260C-UNLIM
SN74LS597DG4	ACTIVE	SOIC	D	16	40	Green (RoHS & no Sb/Br)	CU NIPDAU	Level-1-260C-UNLIM
SN74LS597N	ACTIVE	PDIP	N	16	25	Pb-Free (RoHS)	CU NIPDAU	N / A for Pkg Type
SN74LS597N	ACTIVE	PDIP	N	16	25	Pb-Free (RoHS)	CU NIPDAU	N / A for Pkg Type
SN74LS597NE4	ACTIVE	PDIP	N	16	25	Pb-Free (RoHS)	CU NIPDAU	N / A for Pkg Type
SN74LS597NE4	ACTIVE	PDIP	N	16	25	Pb-Free (RoHS)	CU NIPDAU	N / A for Pkg Type
SN74LS597NSR	ACTIVE	SO	NS	16	2000	Green (RoHS & no Sb/Br)	CU NIPDAU	Level-1-260C-UNLIM
SN74LS597NSR	ACTIVE	SO	NS	16	2000	Green (RoHS & no Sb/Br)	CU NIPDAU	Level-1-260C-UNLIM
SN74LS597NSRE4	ACTIVE	SO	NS	16	2000	Green (RoHS & no Sb/Br)	CU NIPDAU	Level-1-260C-UNLIM
SN74LS597NSRE4	ACTIVE	SO	NS	16	2000	Green (RoHS & no Sb/Br)	CU NIPDAU	Level-1-260C-UNLIM
SN74LS597NSRG4	ACTIVE	SO	NS	16	2000	Green (RoHS & no Sb/Br)	CU NIPDAU	Level-1-260C-UNLIM
SN74LS597NSRG4	ACTIVE	SO	NS	16	2000	Green (RoHS & no Sb/Br)	CU NIPDAU	Level-1-260C-UNLIM
SN74LS598N	ACTIVE	PDIP	N	20	20	Pb-Free (RoHS)	CU NIPDAU	N / A for Pkg Type

Orderable Device	Status ⁽¹⁾	Package Type	Package Drawing	Pins	Package Qty	Eco Plan ⁽²⁾	Lead/Ball Finish	MSL Peak Temp ⁽³⁾
SN74LS598N	ACTIVE	PDIP	N	20	20	Pb-Free (RoHS)	CU NIPDAU	N / A for Pkg Type
SN74LS598NE4	ACTIVE	PDIP	N	20	20	Pb-Free (RoHS)	CU NIPDAU	N / A for Pkg Type
SN74LS598NE4	ACTIVE	PDIP	N	20	20	Pb-Free (RoHS)	CU NIPDAU	N / A for Pkg Type
SNJ54LS597FK	ACTIVE	LCCC	FK	20	1	TBD	POST-PLATE	N / A for Pkg Type
SNJ54LS597FK	ACTIVE	LCCC	FK	20	1	TBD	POST-PLATE	N / A for Pkg Type
SNJ54LS597J	ACTIVE	CDIP	J	16	1	TBD	A42	N / A for Pkg Type
SNJ54LS597J	ACTIVE	CDIP	J	16	1	TBD	A42	N / A for Pkg Type
SNJ54LS597W	ACTIVE	CFP	W	16	1	TBD	A42	N / A for Pkg Type
SNJ54LS597W	ACTIVE	CFP	W	16	1	TBD	A42	N / A for Pkg Type
SNJ54LS598FK	OBSOLETE	LCCC	FK	20		TBD	Call TI	Call TI
SNJ54LS598FK	OBSOLETE	LCCC	FK	20		TBD	Call TI	Call TI
SNJ54LS598J	OBSOLETE	CDIP	J	20		TBD	Call TI	Call TI
SNJ54LS598J	OBSOLETE	CDIP	J	20		TBD	Call TI	Call TI
SNJ54LS598W	OBSOLETE			20		TBD	Call TI	Call TI
SNJ54LS598W	OBSOLETE			20		TBD	Call TI	Call TI

⁽¹⁾ The marketing status values are defined as follows:

ACTIVE: Product device recommended for new designs.

LIFEBUY: TI has announced that the device will be discontinued, and a lifetime-buy period is in effect.

NRND: Not recommended for new designs. Device is in production to support existing customers, but TI does not recommend using this part in a new design.

PREVIEW: Device has been announced but is not in production. Samples may or may not be available.

OBSOLETE: TI has discontinued the production of the device.

⁽²⁾ Eco Plan - The planned eco-friendly classification: Pb-Free (RoHS), Pb-Free (RoHS Exempt), or Green (RoHS & no Sb/Br) - please check <http://www.ti.com/productcontent> for the latest availability information and additional product content details.

TBD: The Pb-Free/Green conversion plan has not been defined.

Pb-Free (RoHS): TI's terms "Lead-Free" or "Pb-Free" mean semiconductor products that are compatible with the current RoHS requirements for all 6 substances, including the requirement that lead not exceed 0.1% by weight in homogeneous materials. Where designed to be soldered at high temperatures, TI Pb-Free products are suitable for use in specified lead-free processes.

Pb-Free (RoHS Exempt): This component has a RoHS exemption for either 1) lead-based flip-chip solder bumps used between the die and package, or 2) lead-based die adhesive used between the die and leadframe. The component is otherwise considered Pb-Free (RoHS compatible) as defined above.

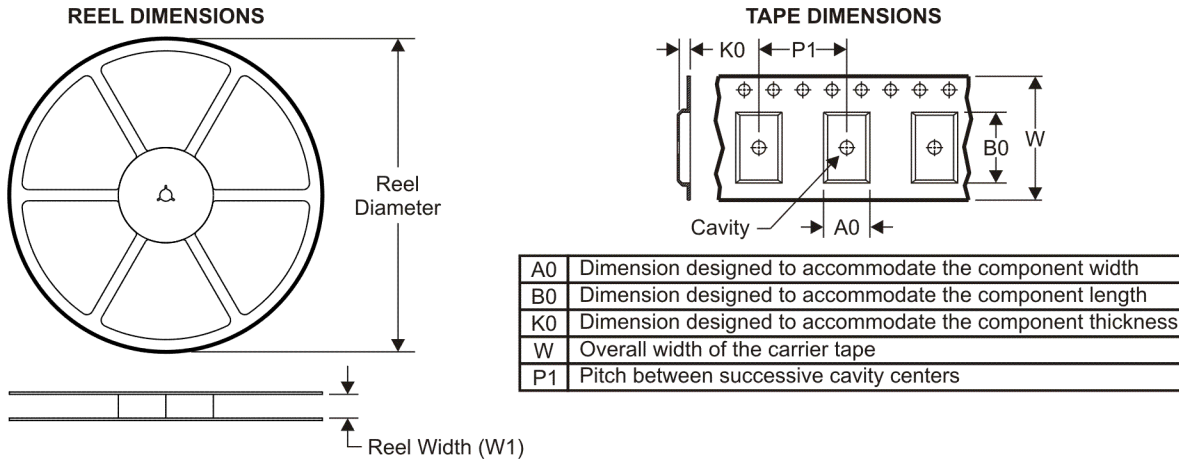
Green (RoHS & no Sb/Br): TI defines "Green" to mean Pb-Free (RoHS compatible), and free of Bromine (Br) and Antimony (Sb) based flame retardants (Br or Sb do not exceed 0.1% by weight in homogeneous material)

⁽³⁾ MSL, Peak Temp. -- The Moisture Sensitivity Level rating according to the JEDEC industry standard classifications, and peak solder temperature.

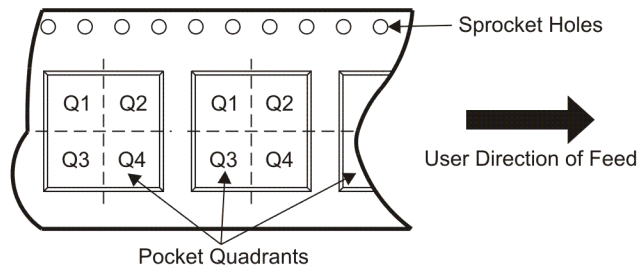
Important Information and Disclaimer: The information provided on this page represents TI's knowledge and belief as of the date that it is provided. TI bases its knowledge and belief on information provided by third parties, and makes no representation or warranty as to the accuracy of such information. Efforts are underway to better integrate information from third parties. TI has taken and continues to take reasonable steps to provide representative and accurate information but may not have conducted destructive testing or chemical analysis on incoming materials and chemicals. TI and TI suppliers consider certain information to be proprietary, and thus CAS numbers and other limited information may not be available for release.

In no event shall TI's liability arising out of such information exceed the total purchase price of the TI part(s) at issue in this document sold by TI to Customer on an annual basis.

TAPE AND REEL INFORMATION



QUADRANT ASSIGNMENTS FOR PIN 1 ORIENTATION IN TAPE



*All dimensions are nominal

Device	Package Type	Package Drawing	Pins	SPQ	Reel Diameter (mm)	Reel Width W1 (mm)	A0 (mm)	B0 (mm)	K0 (mm)	P1 (mm)	W (mm)	Pin1 Quadrant
SN74LS597NSR	SO	NS	16	2000	330.0	16.4	8.2	10.5	2.5	12.0	16.0	Q1

TAPE AND REEL BOX DIMENSIONS



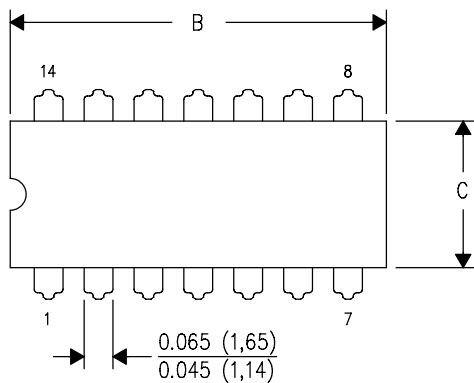
*All dimensions are nominal

Device	Package Type	Package Drawing	Pins	SPQ	Length (mm)	Width (mm)	Height (mm)
SN74LS597NSR	SO	NS	16	2000	346.0	346.0	33.0

J (R-GDIP-T**)

14 LEADS SHOWN

CERAMIC DUAL IN-LINE PACKAGE



DIM \ PINS **	14	16	18	20
A	0.300 (7,62) BSC	0.300 (7,62) BSC	0.300 (7,62) BSC	0.300 (7,62) BSC
B MAX	0.785 (19,94)	.840 (21,34)	0.960 (24,38)	1.060 (26,92)
B MIN	—	—	—	—
C MAX	0.300 (7,62)	0.300 (7,62)	0.310 (7,87)	0.300 (7,62)
C MIN	0.245 (6,22)	0.245 (6,22)	0.220 (5,59)	0.245 (6,22)

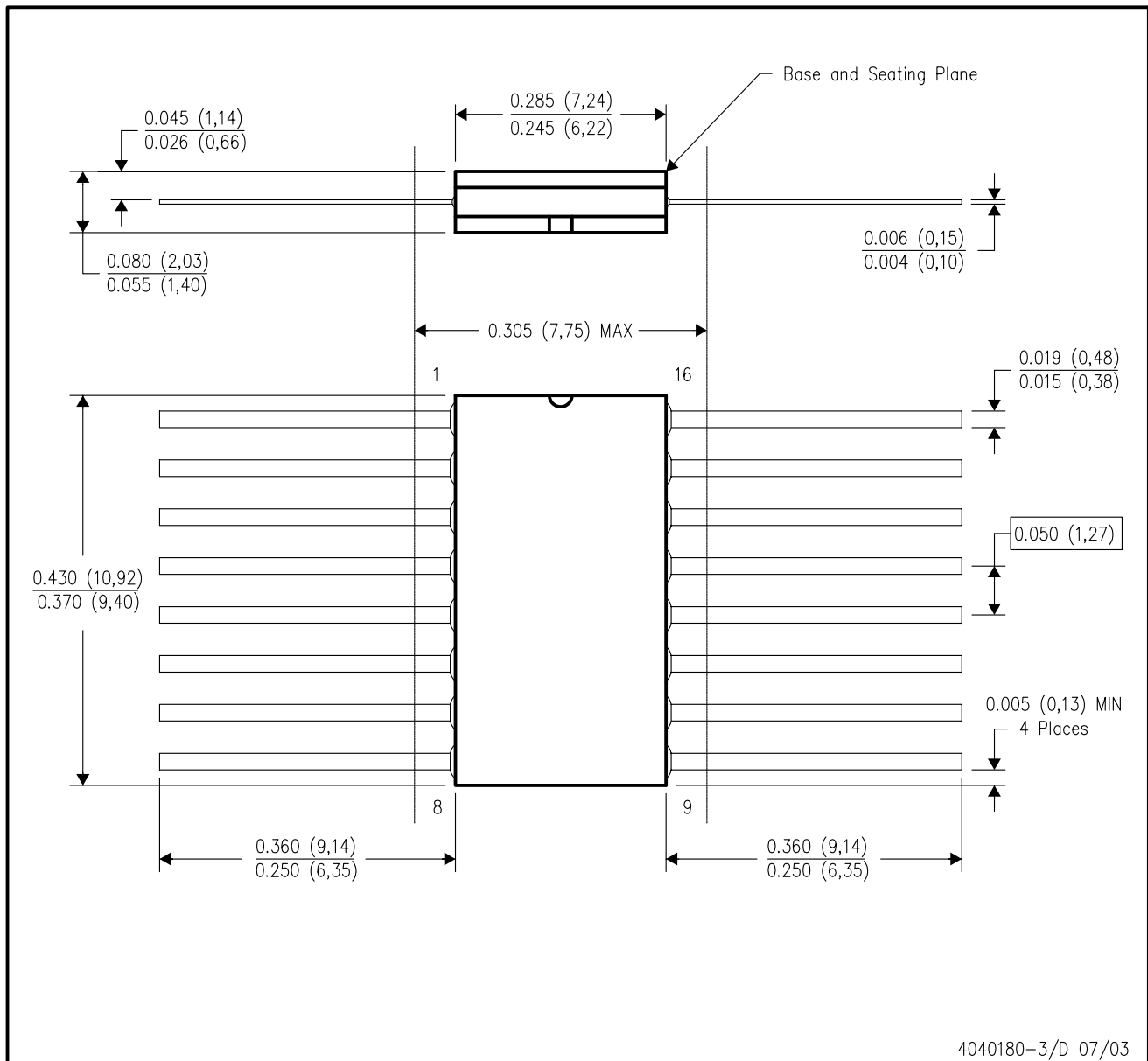


4040083/F 03/03

- NOTES:
- All linear dimensions are in inches (millimeters).
 - This drawing is subject to change without notice.
 - This package is hermetically sealed with a ceramic lid using glass frit.
 - Index point is provided on cap for terminal identification only on press ceramic glass frit seal only.
 - Falls within MIL STD 1835 GDIP1-T14, GDIP1-T16, GDIP1-T18 and GDIP1-T20.

W (R-GDFP-F16)

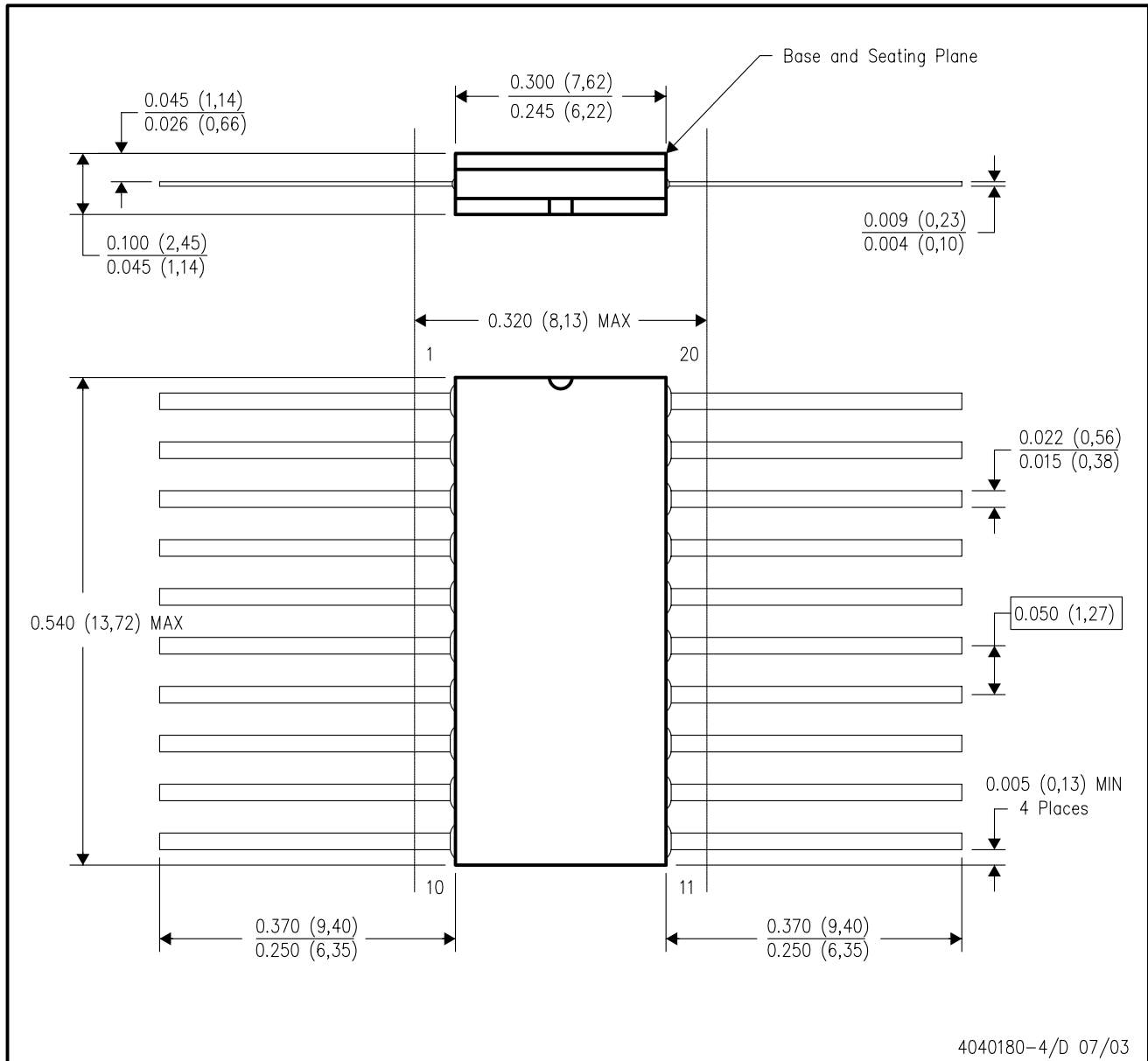
CERAMIC DUAL FLATPACK



- NOTES:
- All linear dimensions are in inches (millimeters).
 - This drawing is subject to change without notice.
 - This package can be hermetically sealed with a ceramic lid using glass frit.
 - Index point is provided on cap for terminal identification only.
 - Falls within MIL STD 1835 GDFP1-F16 and JEDEC MO-092AC

W (R-GDFP-F20)

CERAMIC DUAL FLATPACK

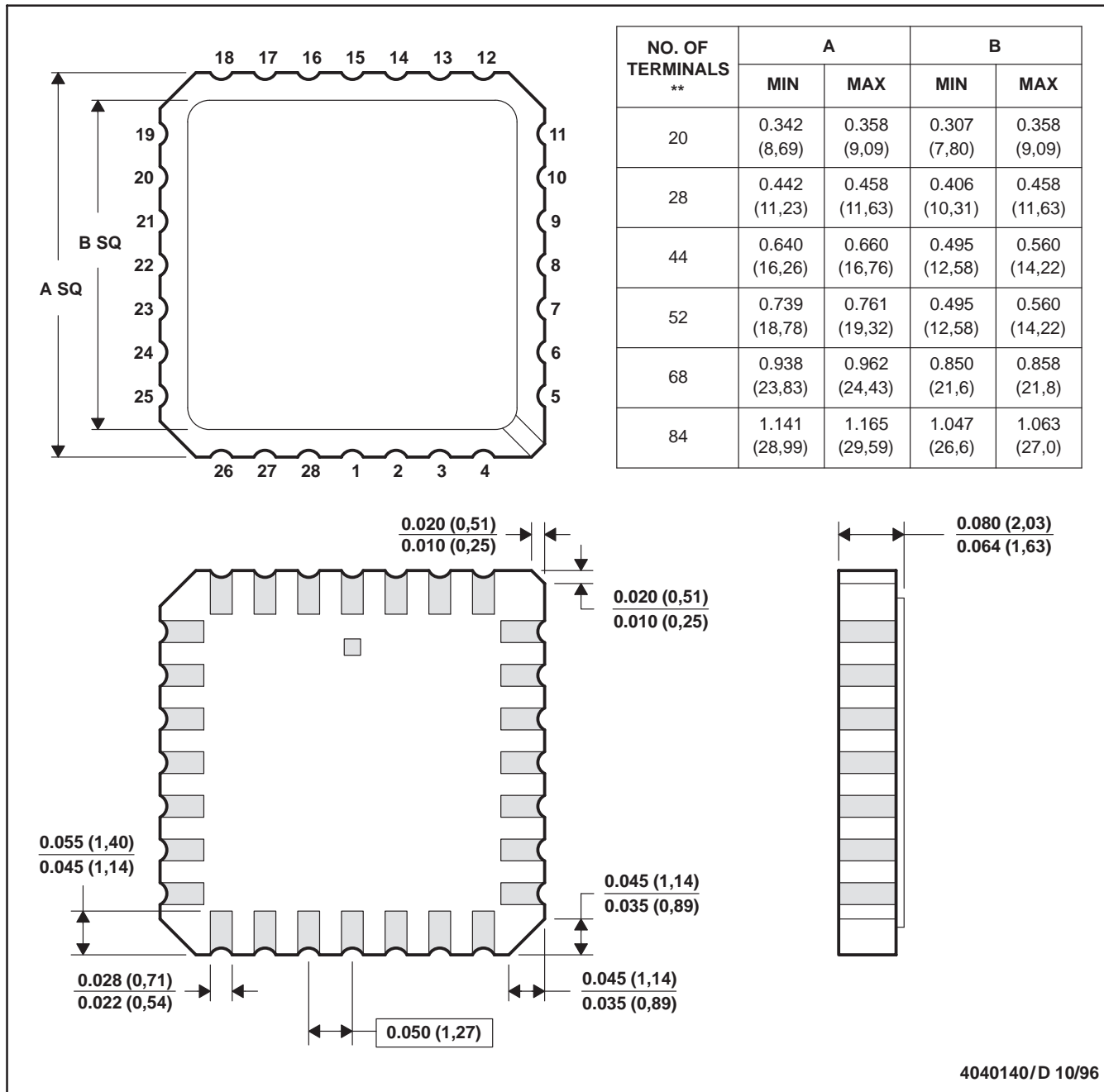


- NOTES:
- A. All linear dimensions are in inches (millimeters).
 - B. This drawing is subject to change without notice.
 - C. This package can be hermetically sealed with a ceramic lid using glass frit.
 - D. Index point is provided on cap for terminal identification only.
 - E. Falls within Mil-Std 1835 GDFP2-F20

FK (S-CQCC-N**)

LEADLESS CERAMIC CHIP CARRIER

28 TERMINAL SHOWN



4040140/D 10/96

- NOTES:
- A. All linear dimensions are in inches (millimeters).
 - B. This drawing is subject to change without notice.
 - C. This package can be hermetically sealed with a metal lid.
 - D. The terminals are gold plated.
 - E. Falls within JEDEC MS-004

N (R-PDIP-T**)

PLASTIC DUAL-IN-LINE PACKAGE

16 PINS SHOWN

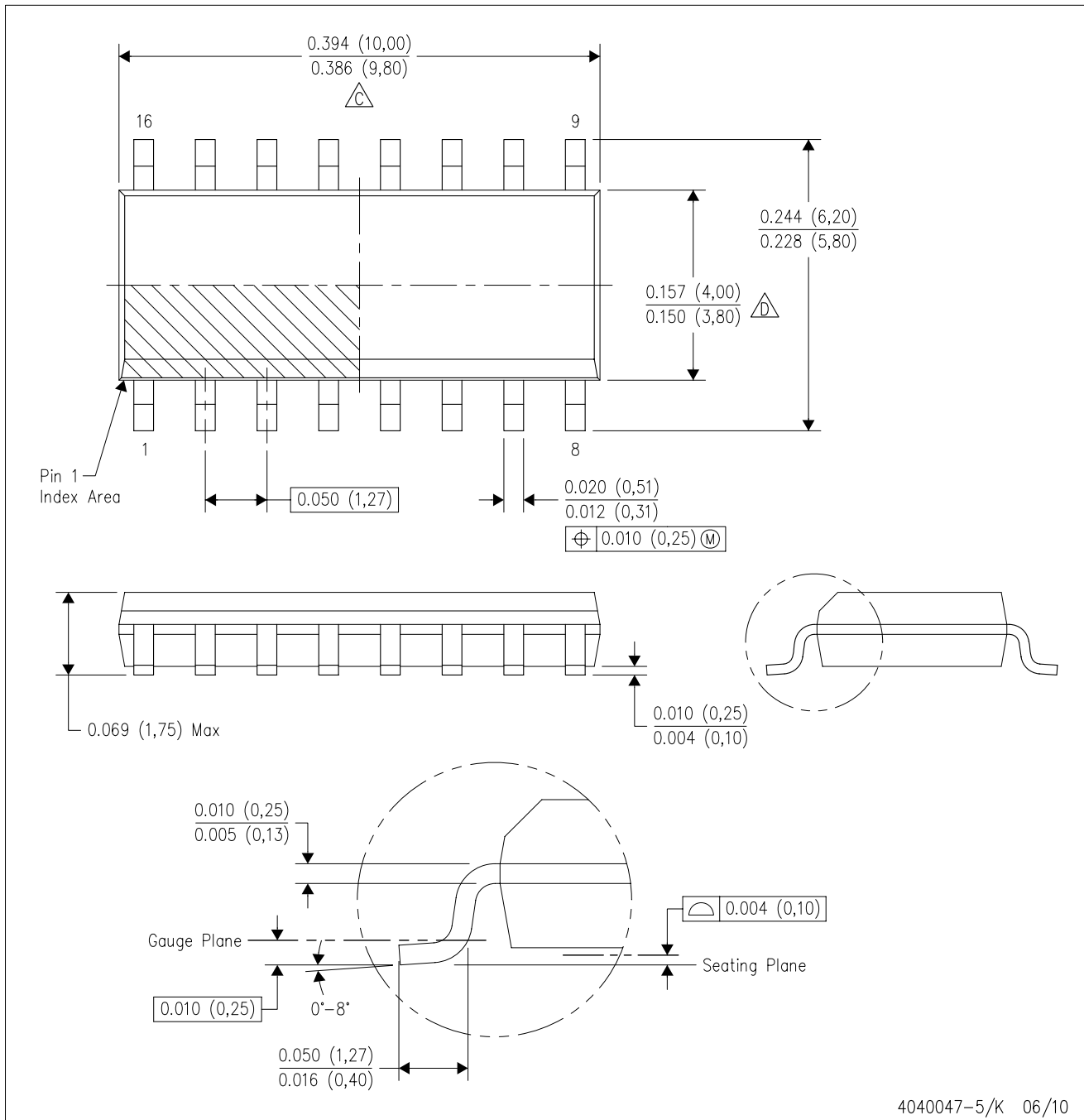


- NOTES:
- A. All linear dimensions are in inches (millimeters).
 - B. This drawing is subject to change without notice.
 - $\triangle C$ Falls within JEDEC MS-001, except 18 and 20 pin minimum body length (Dim A).
 - $\triangle D$ The 20 pin end lead shoulder width is a vendor option, either half or full width.

4040049/E 12/2002

D (R-PDSO-G16)

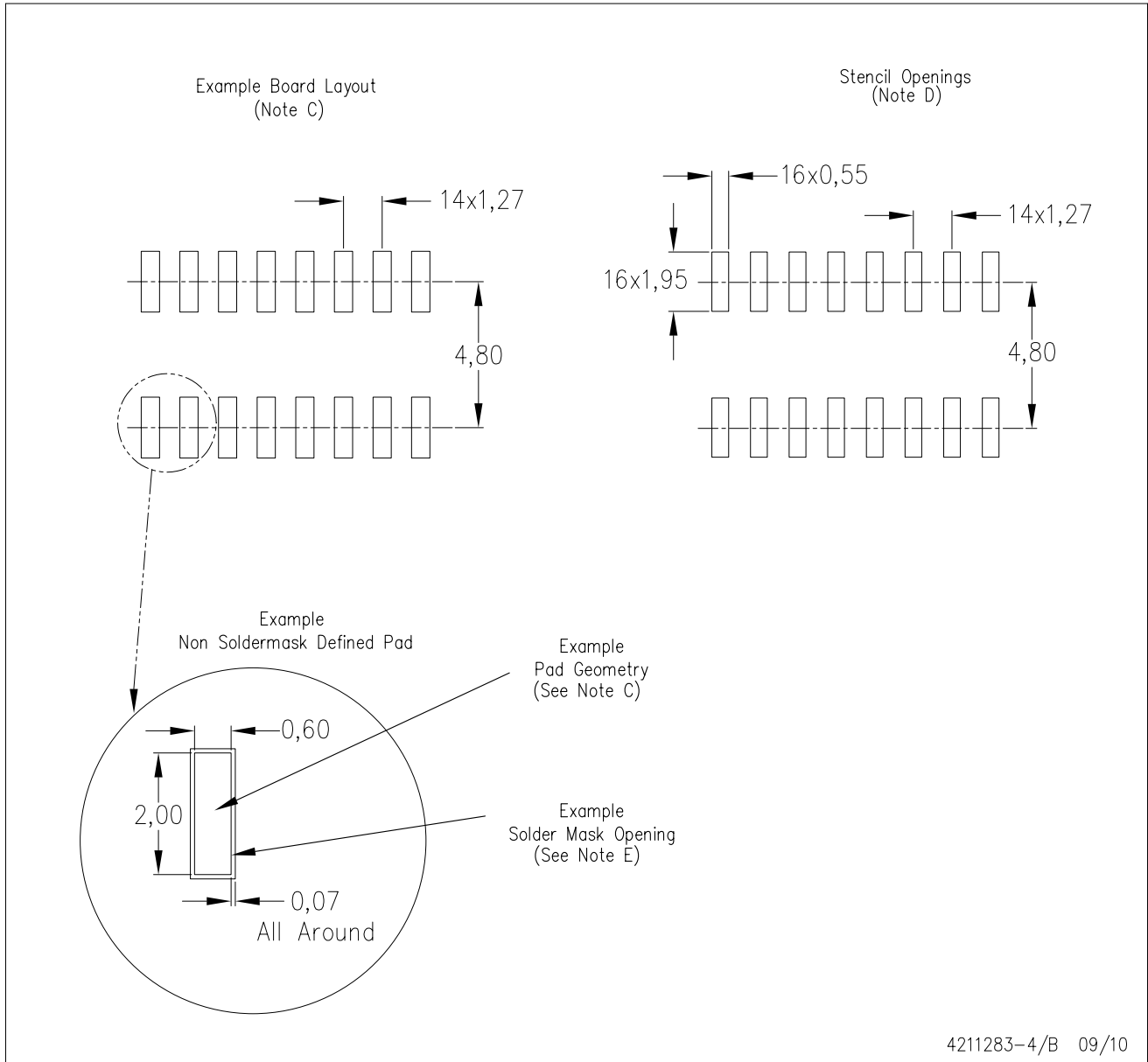
PLASTIC SMALL-OUTLINE PACKAGE



- NOTES:
- A. All linear dimensions are in inches (millimeters).
 - B. This drawing is subject to change without notice.
 - C. Body length does not include mold flash, protrusions, or gate burrs. Mold flash, protrusions, or gate burrs shall not exceed .006 (0,15) per end.
 - D. Body width does not include interlead flash. Interlead flash shall not exceed .017 (0,43) per side.
 - E. Reference JEDEC MS-012 variation AC.

D (R-PDSO-G16)

PLASTIC SMALL OUTLINE



- NOTES:
- A. All linear dimensions are in millimeters.
 - B. This drawing is subject to change without notice.
 - C. Publication IPC-7351 is recommended for alternate designs.
 - D. Laser cutting apertures with trapezoidal walls and also rounding corners will offer better paste release. Customers should contact their board assembly site for stencil design recommendations. Refer to IPC-7525 for other stencil recommendations.
 - E. Customers should contact their board fabrication site for solder mask tolerances between and around signal pads.

IMPORTANT NOTICE

Texas Instruments Incorporated and its subsidiaries (TI) reserve the right to make corrections, modifications, enhancements, improvements, and other changes to its products and services at any time and to discontinue any product or service without notice. Customers should obtain the latest relevant information before placing orders and should verify that such information is current and complete. All products are sold subject to TI's terms and conditions of sale supplied at the time of order acknowledgment.

TI warrants performance of its hardware products to the specifications applicable at the time of sale in accordance with TI's standard warranty. Testing and other quality control techniques are used to the extent TI deems necessary to support this warranty. Except where mandated by government requirements, testing of all parameters of each product is not necessarily performed.

TI assumes no liability for applications assistance or customer product design. Customers are responsible for their products and applications using TI components. To minimize the risks associated with customer products and applications, customers should provide adequate design and operating safeguards.

TI does not warrant or represent that any license, either express or implied, is granted under any TI patent right, copyright, mask work right, or other TI intellectual property right relating to any combination, machine, or process in which TI products or services are used. Information published by TI regarding third-party products or services does not constitute a license from TI to use such products or services or a warranty or endorsement thereof. Use of such information may require a license from a third party under the patents or other intellectual property of the third party, or a license from TI under the patents or other intellectual property of TI.

Reproduction of TI information in TI data books or data sheets is permissible only if reproduction is without alteration and is accompanied by all associated warranties, conditions, limitations, and notices. Reproduction of this information with alteration is an unfair and deceptive business practice. TI is not responsible or liable for such altered documentation. Information of third parties may be subject to additional restrictions.

Resale of TI products or services with statements different from or beyond the parameters stated by TI for that product or service voids all express and any implied warranties for the associated TI product or service and is an unfair and deceptive business practice. TI is not responsible or liable for any such statements.

TI products are not authorized for use in safety-critical applications (such as life support) where a failure of the TI product would reasonably be expected to cause severe personal injury or death, unless officers of the parties have executed an agreement specifically governing such use. Buyers represent that they have all necessary expertise in the safety and regulatory ramifications of their applications, and acknowledge and agree that they are solely responsible for all legal, regulatory and safety-related requirements concerning their products and any use of TI products in such safety-critical applications, notwithstanding any applications-related information or support that may be provided by TI. Further, Buyers must fully indemnify TI and its representatives against any damages arising out of the use of TI products in such safety-critical applications.

TI products are neither designed nor intended for use in military/aerospace applications or environments unless the TI products are specifically designated by TI as military-grade or "enhanced plastic." Only products designated by TI as military-grade meet military specifications. Buyers acknowledge and agree that any such use of TI products which TI has not designated as military-grade is solely at the Buyer's risk, and that they are solely responsible for compliance with all legal and regulatory requirements in connection with such use.

TI products are neither designed nor intended for use in automotive applications or environments unless the specific TI products are designated by TI as compliant with ISO/TS 16949 requirements. Buyers acknowledge and agree that, if they use any non-designated products in automotive applications, TI will not be responsible for any failure to meet such requirements.

Following are URLs where you can obtain information on other Texas Instruments products and application solutions:

Products		Applications	
Amplifiers	amplifier.ti.com	Audio	www.ti.com/audio
Data Converters	dataconverter.ti.com	Automotive	www.ti.com/automotive
DLP® Products	www.dlp.com	Communications and Telecom	www.ti.com/communications
DSP	dsp.ti.com	Computers and Peripherals	www.ti.com/computers
Clocks and Timers	www.ti.com/clocks	Consumer Electronics	www.ti.com/consumer-apps
Interface	interface.ti.com	Energy	www.ti.com/energy
Logic	logic.ti.com	Industrial	www.ti.com/industrial
Power Mgmt	power.ti.com	Medical	www.ti.com/medical
Microcontrollers	microcontroller.ti.com	Security	www.ti.com/security
RFID	www.ti-rfid.com	Space, Avionics & Defense	www.ti.com/space-avionics-defense
RF/IF and ZigBee® Solutions	www.ti.com/lprf	Video and Imaging	www.ti.com/video
		Wireless	www.ti.com/wireless-apps

Mailing Address: Texas Instruments, Post Office Box 655303, Dallas, Texas 75265
Copyright © 2010, Texas Instruments Incorporated